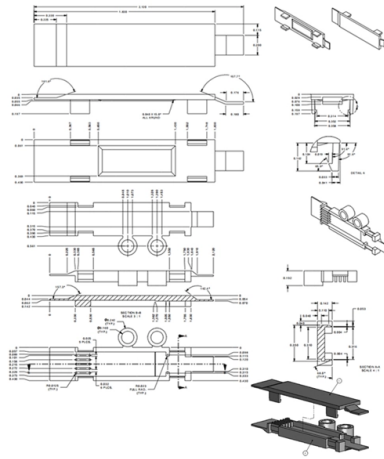


The red light on the optical power meter remains constantly lit



Overview

The meter will have a flashing red light when your system is generating and this frequency will increase on sunny days. The 'brain' of the system, this is generally located in the loft space and it is basically maintenance. The Red Light Optical Power Meter (OLP) is a cutting-edge testing instrument that combines the functionalities of an Optical Time Domain Reflectometer (OTDR) and an Optical Power Meter (OPM). This article aims to provide an overview of the Red Light OLP, highlighting its features, benefits, and. A well-maintained luminometer is crucial for consistent and reliable ATP testing. Solution: Solution: Solution: Perform blank readings to identify the source of the issue. Share the data. he fiber into the power meter. To do this you have to first set a reference as described above and put the unit into dB mode. Steady. An optical power meter (OPM) measures the power levels of light signals in devices that transmit data or power using light.



Article Content

How to Use an Optical Power Meter(OPM): A Beginner's

An optical power meter is a professional testing device used to measure the power of optical signals accurately. It is widely used in fiber optic

cs-178-project/imdb.vocab at main · apmalani/cs-178-project

Contribute to apmalani/cs-178-project development by creating an account on GitHub.

Y3 Handheld Optical Power Meter & Red Light Pen All

The Y3 Handheld Optical Power Meter & Red Light Pen combines precision testing and fault locating. Ideal for FTTH, CATV, and network

How to use optical power meter?

Optical power meters are specific instruments used to measure the strength of light signals in fiber optic networks. Signaling devices are essential since they give us an indication of the

Operation, Maintenance & Calibration of Optical Power Meters

Learn how to operate, maintain, and calibrate GAO Tek's Optical Power Meters with detailed guidelines for accurate fiber optic measurements.

How does optical power meter work?

Optical Power Meters – How to Measure Light If you take an optical power meter and point it directly at a light source, within the meter is a detector that will intercept the light and produce

Troubleshooting Guide

The meter will have a flashing red light when your system is generating and this frequency will increase on sunny days. At night the red light will be constantly lit.

How to measure with the optical pon power meter?

Optical Power Measurement Used when you need to see how much light is passing through a fiber optic cable. It matters "cause it allows us to verify our communication methods are

What is this reactive (kvarh) light constantly lit on Kaifa

Had SMETS2 meters installed a couple weeks ago, and an isolation switch today - both installs organised by EDF but carried out by their contractor.

How to read optical power meter?

How to Interpret an Optical Power Meter? The one thing most important thing to understand with optical power meter is knowing how to read the numbers on it.
Negative

Electricity Meter Flashing Red/Green/Orange/E/8s/WAN

But this is a bad idea. Energy providers have discouraged consumers from tampering with their meters. Electric Meter Flashing Green – Meaning Some

Optical Power Meters: Understand Their Uses and Internals

Optical power meters can measure the power of both single-mode and multimode fibers. In single-mode fiber, the rays

Solid red light on electric meter | DIYnot Forums

We have a electric meter which has two lights on it, one showing 100A, the other 1000amp/KW hour. I have noticed this week that in the morning before 9 the 100 button is illuminated

How do I troubleshoot and maintain my luminometer?

A result greater than 20 RLU indicates that light leakage is not a problem and that it is likely due to static charge buildup on the assay tube. Wipe the outside of the assay tube gently with a

Red Light on Digital Meter | DIYnot Forums

On my digital meter there is a red light, which normally is flashing at varying intervals. As I have always understood it, the situation is:- 1. No light = no incoming power (and yes, I've watched

Optical Power Meter

An optical power meter is defined as an instrument used to measure power or energy from narrow band sources, such as lasers, without a dispersing element and with broad band sensitivity. It

Optical Power Meters

The optical power meter should be set for testing the same wavelength being utilized. Furthermore, we recommend that the respective test

Red Light on Digital Meter | DIYnot Forums

When I explained that the red light was out, I was told that this meant merely that nothing in the house was drawing power (not surprising since the RCD was off!) and that it did NOT mean

Optical Power Meter Basics

An optical power meter measures the photon energy in the form of current or voltage from an optical detector such as a semiconductor, a thermopile, or a pyroelectric detector.

Smart Meter Issues and How to Solve Them

Smart meters are great when they work but, as with most devices, sometimes they run into problems. In this guide, we will help you identify why your smart meter might not be working, and outline some

Why Does LED Light Stay On? Understanding the Common

FAQ 2: Can a power surge cause an LED light to stay on? Yes, a power surge can potentially cause an LED light to remain on even when it is switched off. When a power surge occurs,

Red Light Optical Power Meter A Powerful Testing Solution

With its ability to accurately measure optical power levels and identify network anomalies, the Red Light OLP is an essential instrument for ensuring the efficient operation and maintenance of fiber optic

Optical Power Meter : Everything You Need to Know

The power meter's main function is to display the incident power on the photodiode. Features found on more sophisticated power meters may include

Digital electricity meter

If the red light and green light above it both are constantly on, it means there is earthing leakage or some other problem in some circuit. Kindly consult an electrician.

Ultimate Guide to Choosing the Right Fiber Optic Power

Discover how to choose the right fiber optic power meter for your needs. Learn to measure the power of optical signals in fiber optic cables with

How to reset your Solar PV system

Most inverters will have a green light and display showing you the current power it generating. a. If the inverter is on and generating but the meter remains blank then the meter will need replacing b. If the

Beginner's Guide to Power Meter Usage for Optical

Use a power meter for fiber optic testing by cleaning connectors, setting wavelength, calibrating, and following step-by-step procedures for

Optical Power Meter User Guide

Disable Auto Off tons are pressed for minutes. To bypass this feature, hold the Power button or 3 seconds when powering on. A series of beeps will indicate that the units Auto

Contact Us

For more information, pricing, or custom solutions, please contact us:

Website: <https://blazingfast.co.za>

Email: info@blazingfast.co.za

Phone: +27 83 416 7295

Address: Plot 45, Silicon Savannah Road, Tatu City, Kiambu 00900, Kenya

This document is for informational purposes only. Specifications subject to change without notice.

